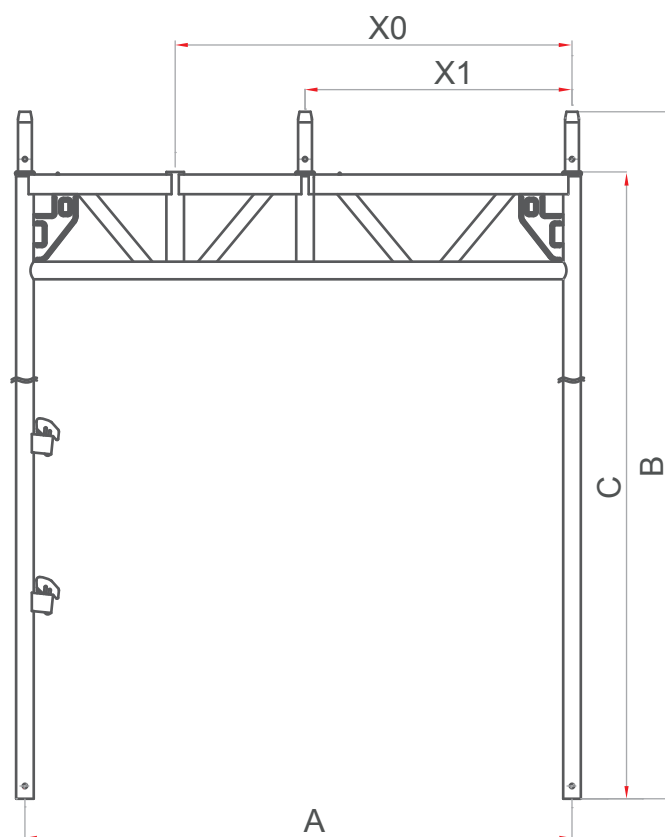


Interim frame



Technical table

A	1500	B	2365	C	2200
X0	1088	X1	732		
Weight: 36 kg					

