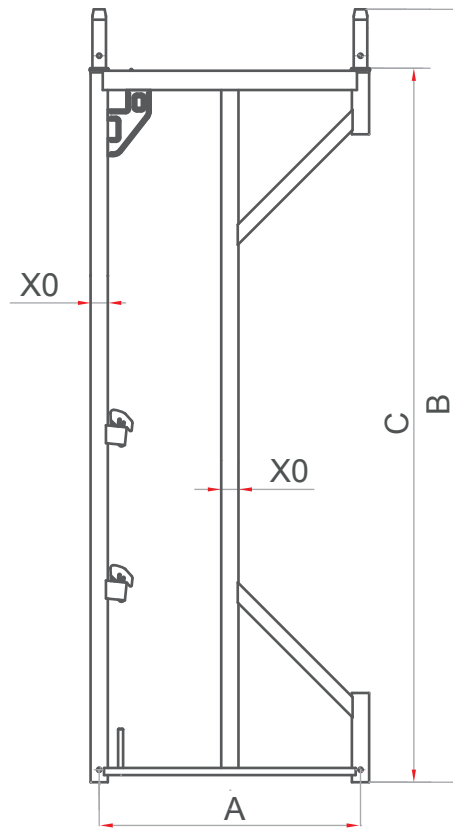


## 2.2 Bypass frame



### Technical table

<b>A</b>	732	<b>B</b>	2165	<b>C</b>	2000
<b>X0</b>	Ø48,3x2,7				
<b>Weight: 23 kg</b>					

