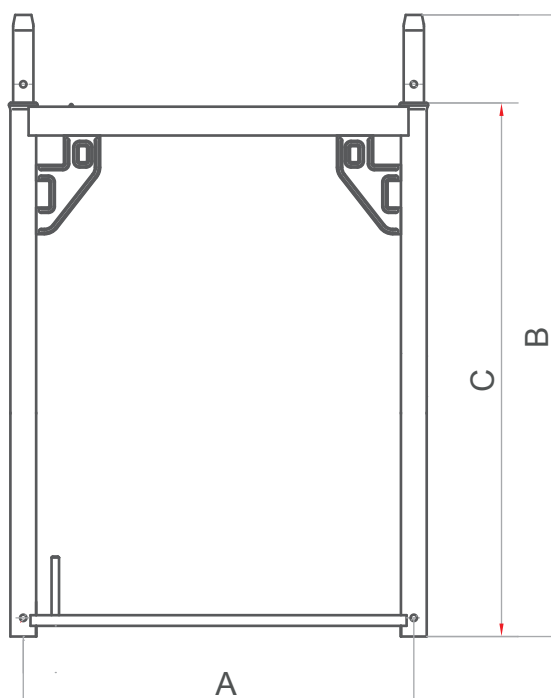


## 1.0 & 0.6 Frame



### Technical table

<b>A</b>	732	<b>B</b>	1165 (831)	<b>C</b>	1000 (666)
<b>Weight frame 1.0: 13,1 kg / Weight frame 0.6: 10 kg</b>					

