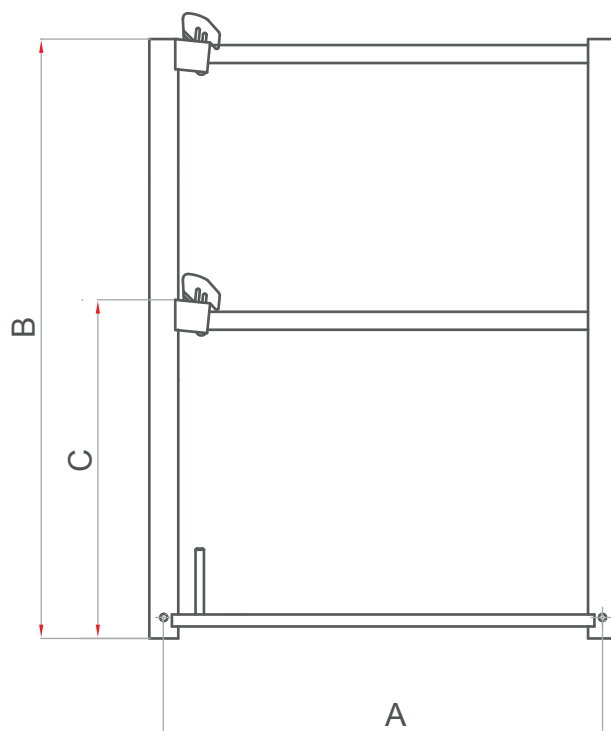


End frame



Technical table

A	732	B	1000	C	565
Weight: 10,8 kg					

