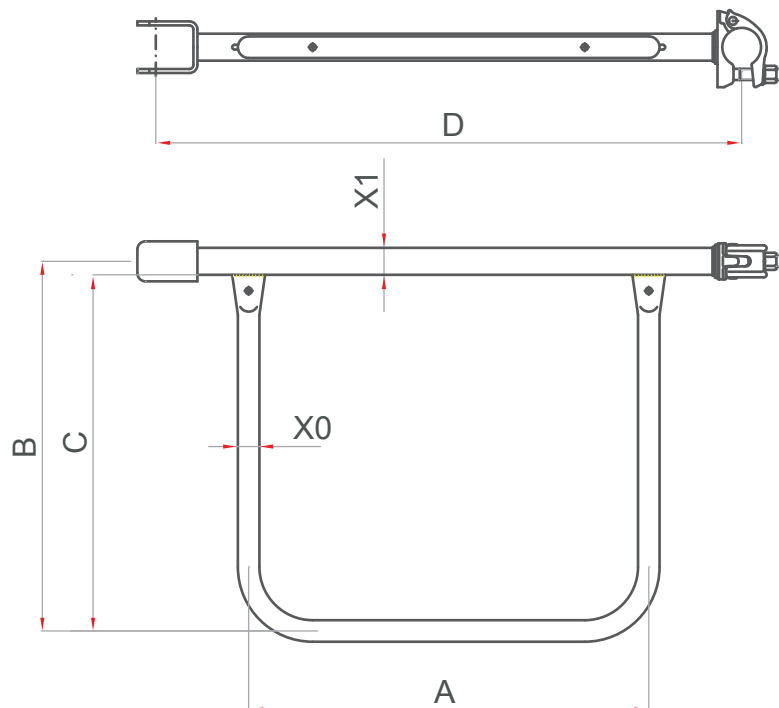


End guardrail



Technical table

A	500	B	~462	C	445
D	732	X0	Ø25x1,5	X1	Ø32x2
Weight: 4,17 kg					

