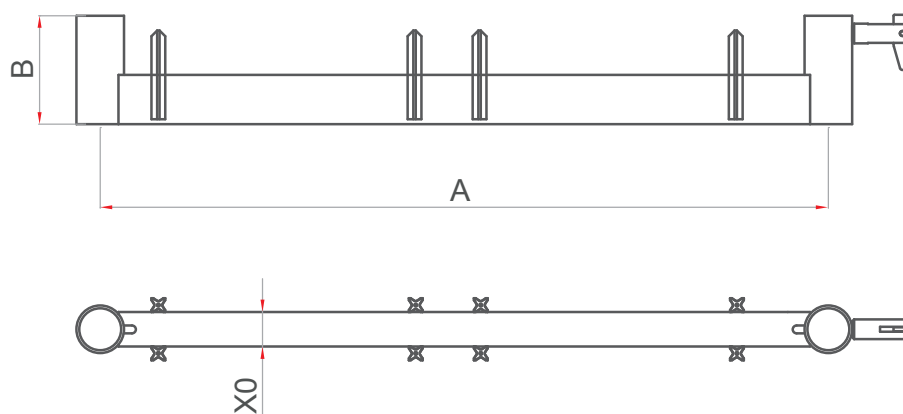


Crossbeam „0”



Technical table

A	739	B	110	X0	35
Weight: 3,2 kg					

