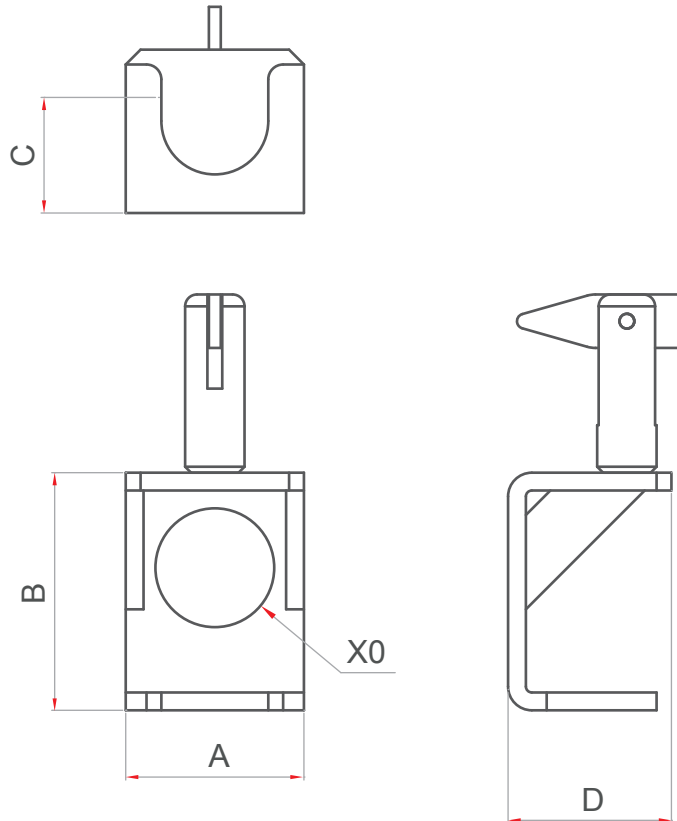


Bracing holder



Technical table

A	60	B	80	C	39
D	55	X0	Ø40		
Weight: 0,5 kg					

