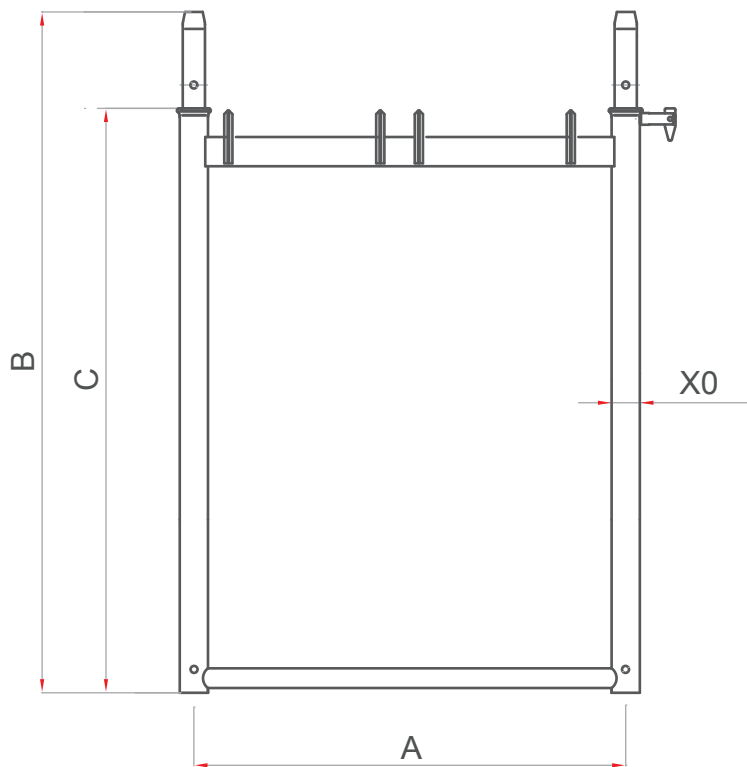


## 0.5; 1.0 Frame



### Technical table

<b>A</b>	739	<b>B</b>	1165 (665)	<b>C</b>	1000 (500)
<b>X0</b>	Ø48,3x2,7				
<b>1.0 Frame weight: 13.1 kg / 0.5 Frame weight: 8.2 kg</b>					

