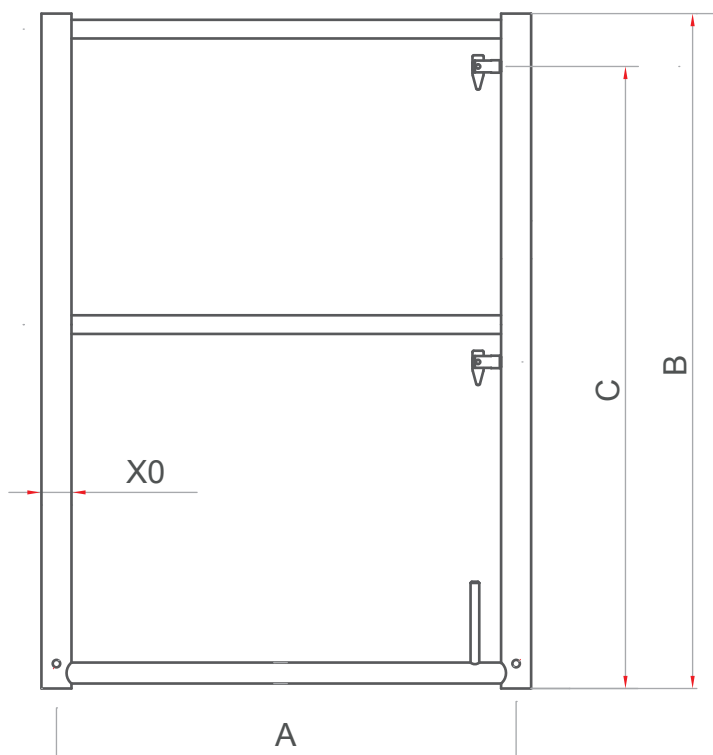


## End frame



### Technical table

<b>A</b>	739	<b>B</b>	1085	<b>C</b>	1000
<b>X2</b>	Ø48,3x2,3				
<b>Weight: 10,8 kg</b>					

