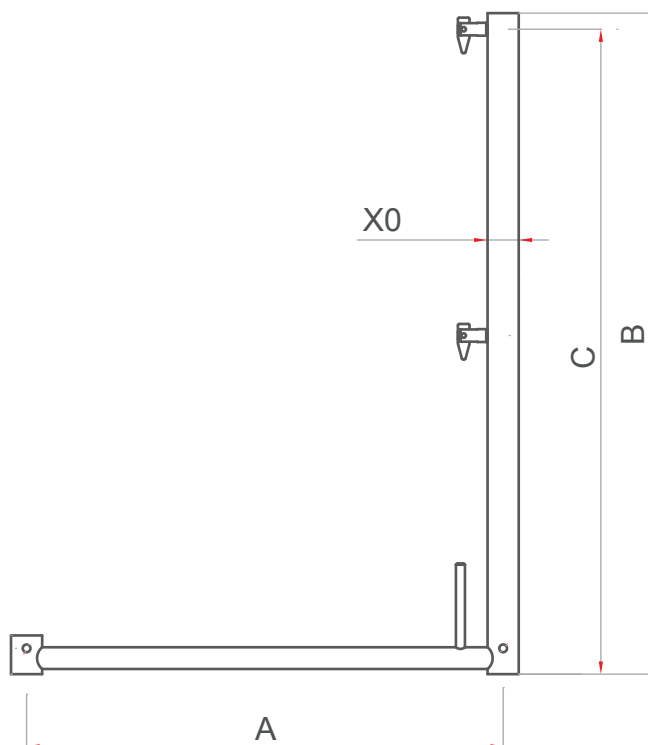


L 1.0 Frame



Technical table

A	739	B	1025	C	1000
X0	Ø48,3x2,3				
Weight: 5,6 kg					

