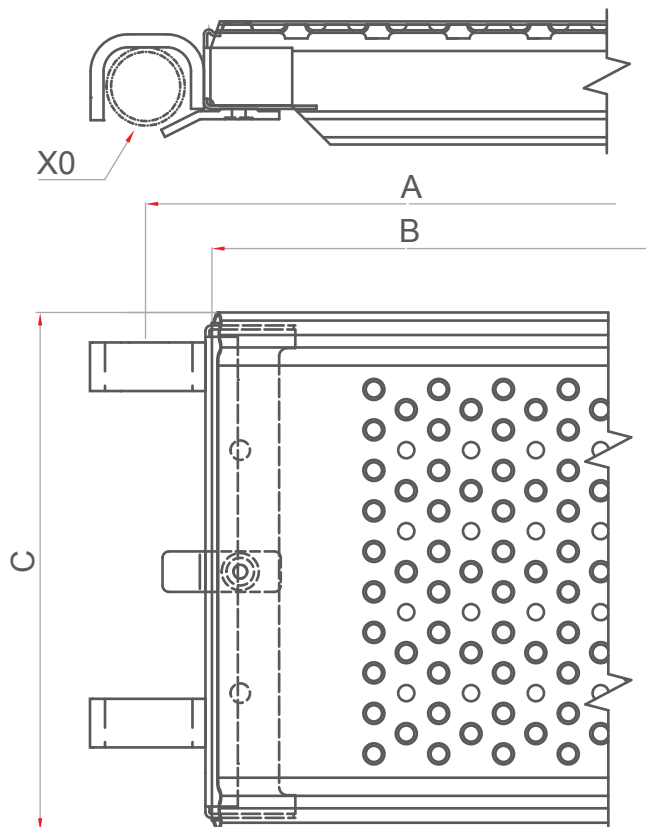


NT8 - KMe (hook module 2)



Technical table

Type / L	A	B	C	X0	Load capacity
NT8KMe/2	2000	1920	320	Ø48,3	Gr.5 - 4,5 kN/m ²
NT8KMe/2,5	2500	2420			Gr.4 - 3,0 kN/m ²
NT8KMe/3	3000	2920			Gr.3 - 2,0 kN/m ²
Platform metal plate thickness					1,25
IMBiGS certificate no.					Z/02/025/12

