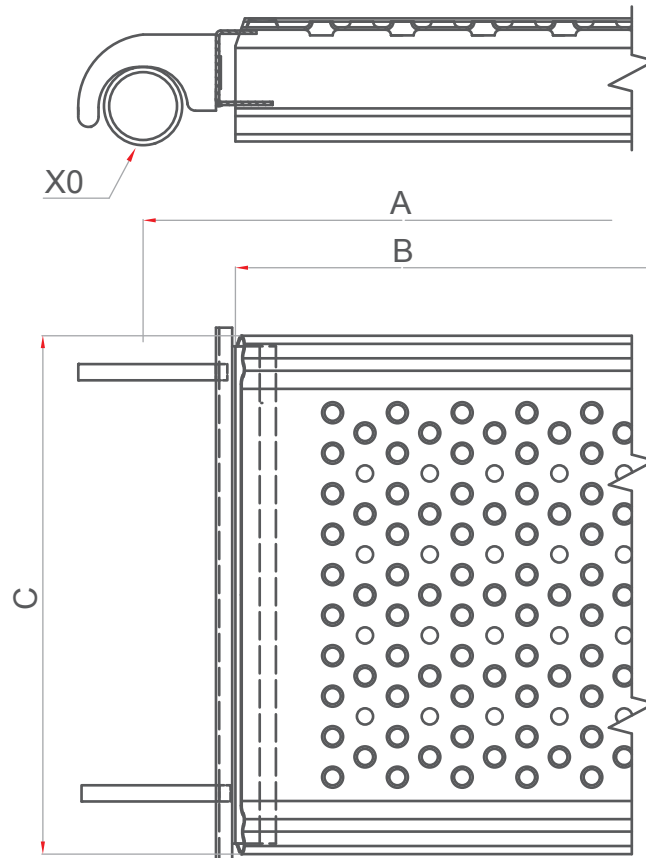


## NT8 - RSK



### Technical table

Type / L	A	B	C	X0	Load capacity
NT8RSK/2,09	2090	1976	320	Ø48,3	Gr.4 - 3,0 kN/m <sup>2</sup>
Platform metal plate thickness					1,25
IMBiGS certificate no.					Z/02/025/12

