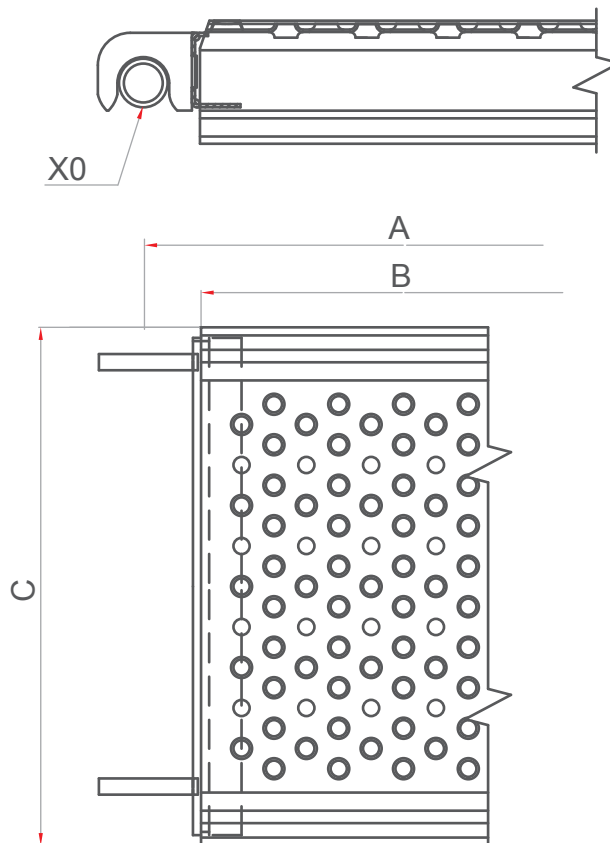


# NT8 - KRAUSE



## Technical table

Type / L	A	B	C	X0	Load capacity
NT8KRAUSE/2	2000	1930			Gr.5 - 4,5 kN/m <sup>2</sup>
NT8KRAUSE/2,5	2500	2430	320	Ø30	Gr.4 - 3,0 kN/m <sup>2</sup>
NT8KRAUSE/3	3000	2930			Gr.3 - 2,0 kN/m <sup>2</sup>
Platform metal plate thickness					1,25
IMBiGS certificate no.					Z/02/025/12

