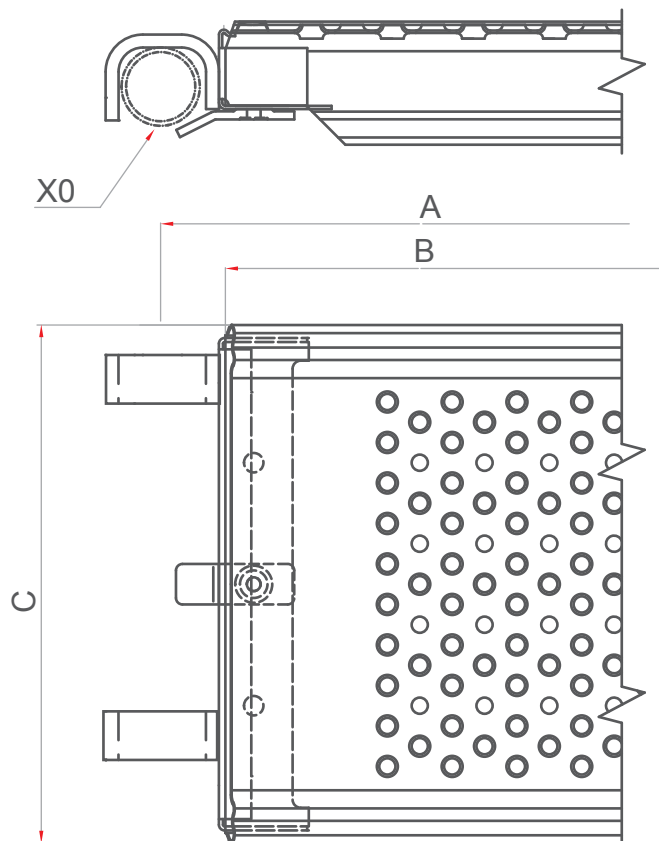


## NT4 - KMe (hook module 2)



### Technical table

Type / L	A	B	C	X0	Load capacity
NT4KMe/2	2000	1920			Gr.6 - 6,0 kN/m <sup>2</sup>
NT4KMe/2,5	2500	2420	320	Ø48,3	Gr.5 - 4,5 kN/m <sup>2</sup>
NT4KMe/3	3000	2920			Gr.4 - 3,0 kN/m <sup>2</sup>
<b>Platform metal plate thickness</b>					1,5
<b>IMBiGS certificate no.</b>					Z/02/024/12

