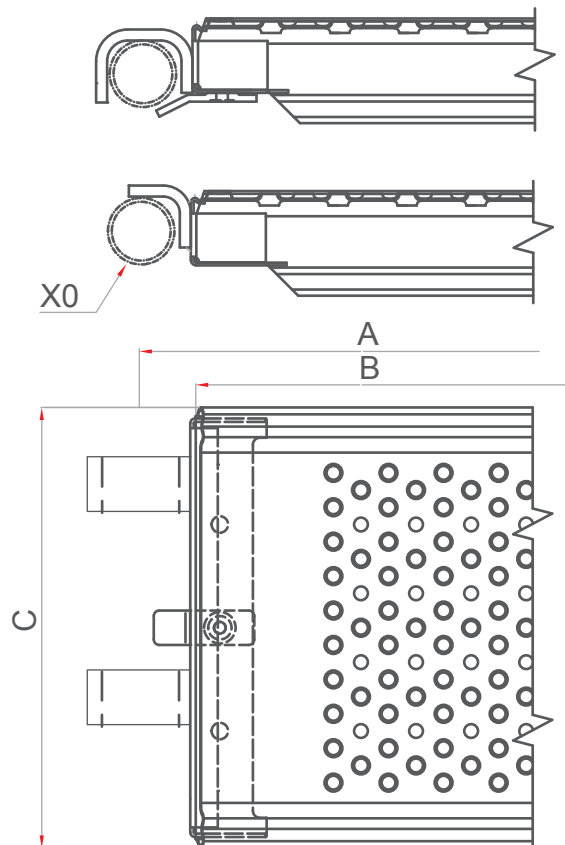


NT4 - Ko (hook module 3)



Technical table

Type / L	A	B	C	X0	Load capacity
NT4Ko/2	2072	1990			Gr.6 - 6,0 kN/m ²
NT4Ko/2,5	2572	1490	320	Ø48,3	Gr.5 - 4,5 kN/m ²
NT4Ko/3	3072	2990			Gr.4 - 3,0 kN/m ²
Platform metal plate thickness					1,5
IMBiGS certificate no.					Z/02/024/12

